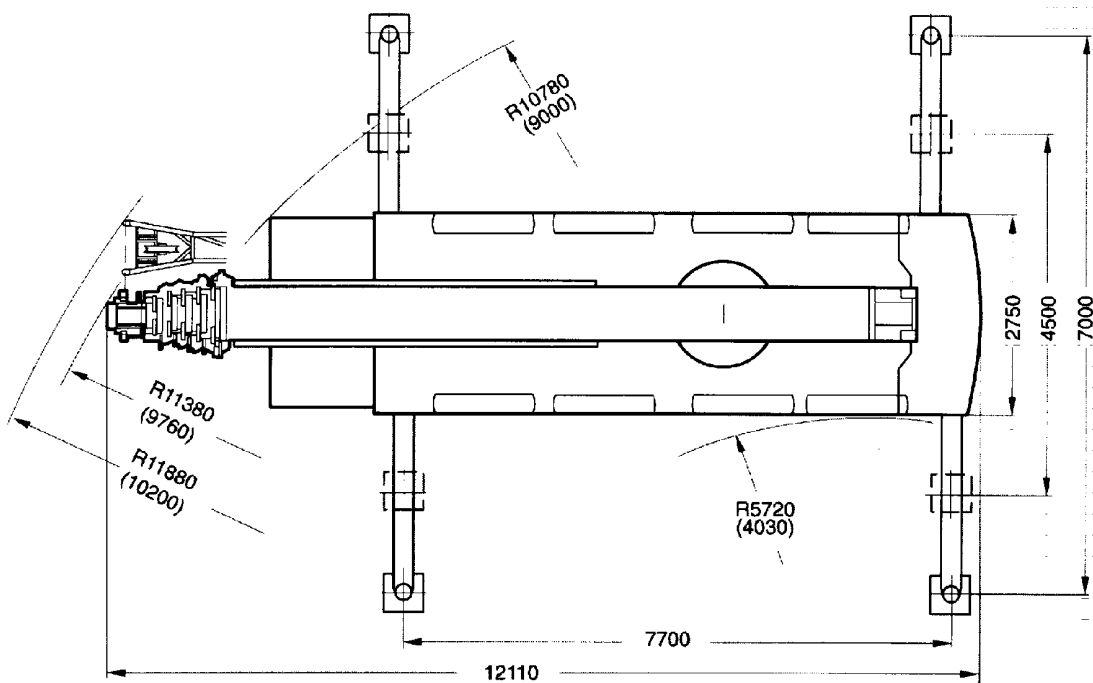
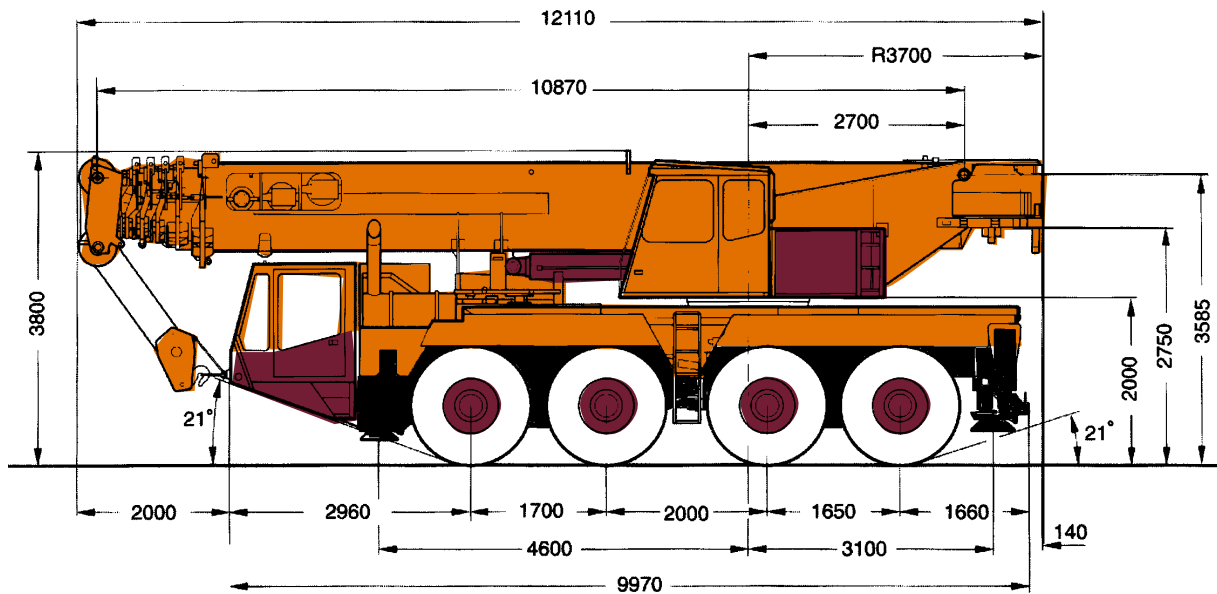


DEMAG AC 205

80 Tonne Hydraulic All Terrain Crane

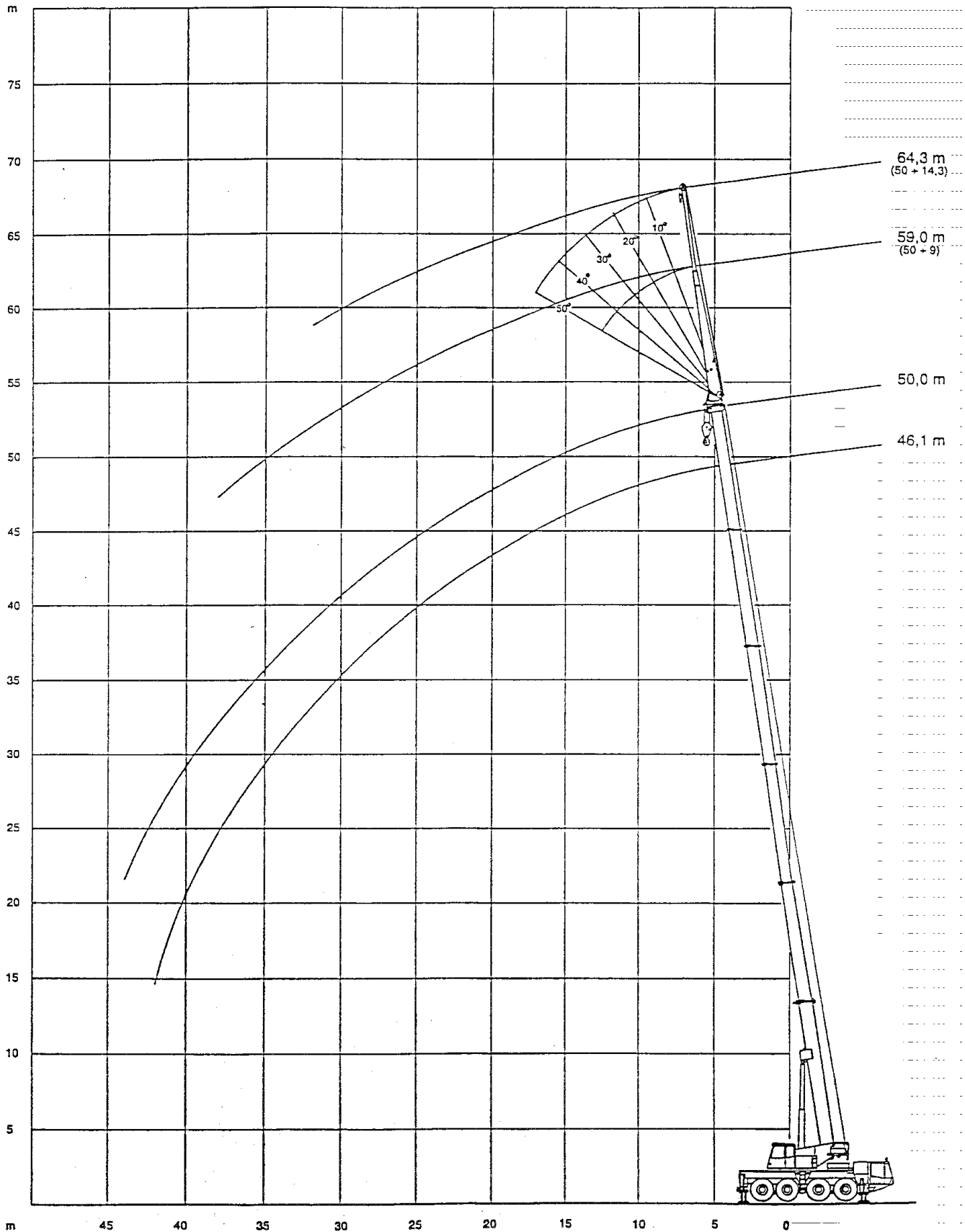
GENERAL DIMENSIONS



DEMAG AC 205

80 Tonne Hydraulic All Terrain Crane

Main Boom Extension Working Range Diagram



DEMAG AC 205

80 Tonne Hydraulic All Terrain Crane

AC 205		Capacities on Main Boom									75%/DIN 15019.2
		Capacity (t) = Load + Hook Block									360°
											Counterweight 18t
											Outrigger base 7.7 x 7 m
Radius (m)	Main Boom (m)										
	10.9	16.1	21.4	25.0	31.2	37.1	42.3	46.1	50.0		
3.0	80.0*	-	-	-	-	-	-	-	-	-	
3.0	70.0	-	-	-	-	-	-	-	-	-	
3.5	64.7	50.0	-	-	-	-	-	-	-	-	
4.0	59.6	50.0	40.0	-	-	-	-	-	-	-	
4.5	55.2	50.0	38.0	30.0	-	-	-	-	-	-	
5.0	51.3	47.6	35.5	30.0	17.0	-	-	-	-	-	
6.0	42.2	41.8	31.7	28.9	17.0	15.0	-	-	-	-	
7.0	35.2	34.9	28.6	26.1	17.0	14.7	11.0	-	-	-	
8.0	28.4	29.8	26.0	23.5	17.0	14.1	11.0	8.0	-	-	
9.0	-	25.8	23.6	21.2	17.0	13.5	11.0	8.0	6.0	-	
10.0	-	22.1	21.2	19.1	16.1	12.9	11.0	8.0	6.0	-	
12.0	-	16.2	15.3	15.3	13.9	11.5	10.8	7.8	6.0	-	
14.0	-	-	11.6	11.6	12.1	10.2	9.8	7.5	5.9	-	
16.0	-	-	9.1	9.0	10.5	9.1	8.6	7.1	5.7	-	
18.0	-	-	7.2	7.1	8.5	8.1	7.6	6.7	5.4	-	
20.0	-	-	-	5.6	7.1	7.4	6.8	6.1	5.0	-	
22.0	-	-	-	-	5.9	6.3	6.2	5.6	4.6	-	
24.0	-	-	-	-	4.9	5.3	5.2	5.1	4.2	-	
26.0	-	-	-	-	4.1	4.5	4.3	4.5	3.8	-	
28.0	-	-	-	-	-	3.8	3.6	3.8	3.5	-	
30.0	-	-	-	-	-	3.2	3.0	3.2	3.2	-	
32.0	-	-	-	-	-	2.6	2.5	2.7	2.7	-	
34.0	-	-	-	-	-	-	2.1	2.3	2.3	-	
36.0	-	-	-	-	-	-	1.7	1.9	1.9	-	
38.0	-	-	-	-	-	-	1.3	1.5	1.5	-	
40.0	-	-	-	-	-	-	-	1.2	1.2	-	
42.0	-	-	-	-	-	-	-	0.9	0.9	-	
44.0	-	-	-	-	-	-	-	-	0.6	-	
<hr/>											
No. of Hoist Lines		16	10	8	6	4	3	2	2	2	
<hr/>											
Sequence of extended boom (%):											
Tel I	0	0	67	80	67	67	90	90	100		
Tel II	0	67	67	100	67	67	90	90	100		
Tel III-V	0	0	0	0	42	67	74	90	100		
<hr/>											
Dialling code for telescopic control											
	1	2	3	4	5	6	7	8	9		
<hr/>											

* over rear

- When runner is attached load capacities must be reduced by 130 kg.

DEMAG AC 205

80 Tonne Hydraulic All Terrain Crane

AC 205 Capacities on Hydraulic Extension Boom 75%/DIN 15019.2
 Capacity (t) = Load + Hook Block 360°
 Counterweight 18.0 t
 Outrigger base 7.70 x 7.00 m
 Extension Boom 9.0 m
 Main Boom 42.3 m

(Sequence of extended boom 90-90-74-74-74 %)

Radius (m)	Pos. 0°	Pos. 10°	Pos. 20°	Pos. 30°	Pos. 40°	Pos. 50°
10.0	4.2	-	-	-	-	-
12.0	4.0	3.8	-	-	-	-
14.0	3.8	3.6	3.4	2.9	-	-
16.0	3.6	3.5	3.2	2.8	2.5	2.2
18.0	3.5	3.3	3.0	2.7	2.5	2.2
20.0	3.3	3.1	2.8	2.5	2.4	2.1
22.0	3.0	2.9	2.6	2.4	2.2	2.0
24.0	2.8	2.7	2.5	2.3	2.1	1.9
26.0	2.6	2.5	2.3	2.1	2.0	1.8
28.0	2.4	2.2	2.1	2.0	1.8	1.7
30.0	2.2	2.0	1.9	1.8	1.7	1.6
32.0	1.9	1.8	1.7	1.6	1.6	-
34.0	1.7	1.6	1.6	1.5	1.4	-
36.0	1.4	1.4	1.4	1.4	1.3	-
38.0	1.2	1.2	1.2	1.2	-	-
40.0	-	1.0	1.0	1.0	-	-

No. of Hoist Lines

2

Dialling code for telescopic control

7

DEMAG AC 205

80 Tonne Hydraulic All Terrain Crane

AC 205 Capacities on Hydraulic Extension Boom 75%/DIN 15019.2
 Capacity (t) = Load + Hook Block 360°

Counterweight 18.0 t
 Outrigger base 7.70 x 7.00 m

Extension Boom 9.0 m

Main Boom 46.1 m

(Sequence of extended boom 90-90-90-90-90 %)

Radius (m)	Pos.0°	Pos.10°	Pos.20°	Pos.30°	Pos.40°	Pos.50°
12.0	3.3	-	-	-	-	-
14.0	3.2	3.0	3.0	-	-	-
16.0	3.1	2.9	2.8	2.7	2.5	-
18.0	3.0	2.8	2.7	2.5	2.4	2.2
20.0	2.8	2.7	2.5	2.4	2.3	2.1
22.0	2.7	2.5	2.4	2.3	2.2	2.0
24.0	2.5	2.4	2.2	2.1	2.0	1.9
26.0	2.3	2.2	2.1	2.0	1.9	1.8
28.0	2.1	2.0	2.0	1.9	1.8	1.7
30.0	2.0	1.9	1.8	1.7	1.6	1.6
32.0	1.8	1.7	1.6	1.6	1.5	1.5
34.0	1.6	1.5	1.5	1.4	1.4	-
36.0	1.4	1.4	1.3	1.3	1.2	-
38.0	1.0	1.2	1.2	1.1	1.1	-
40.0	0.7	0.8	0.9	1.0	0.9	-
42.0	-	0.6	0.6	0.7	-	-

No. of Hoist Lines

2

Dialling code for telescopic control

8

DEMAG AC 205

80 Tonne Hydraulic All Terrain Crane

75%/DIN 15019.2

AC 205

Capacities on Hydraulic Extension Boom

360°

Capacity (t) = Load + Hook Block

Counterweight 18.0 t

Outrigger base 7.70 x 7.00 m

Extension Boom 9.0 m

Main Boom 50.0 m

(Sequence of extended boom 100-100-100-100-100 %)

Radius (m)	Pos.0°	Pos.10°	Pos.20°	Pos.30°	Pos.40°	Pos.50°
12.0	1.9	-	-	-	-	-
14.0	1.9	1.9	-	-	-	-
16.0	1.9	1.9	1.9	-	-	-
18.0	1.9	1.9	1.9	1.9	1.9	1.9
20.0	1.9	1.9	1.9	1.9	1.9	1.9
22.0	1.9	1.9	1.9	1.9	1.9	1.9
24.0	1.9	1.9	1.9	1.9	1.9	1.9
26.0	1.7	1.7	1.7	1.7	1.7	1.8
28.0	1.5	1.5	1.5	1.6	1.6	1.6
30.0	1.3	1.3	1.3	1.4	1.4	1.4
32.0	1.1	1.1	1.1	1.2	1.2	1.3
34.0	0.9	1.0	1.0	1.0	1.0	1.1
36.0	0.8	0.8	0.8	0.9	0.9	0.9
38.0	0.6	0.6	0.6	0.7	0.7	-
40.0	-	-	-	0.6	0.6	-

No. of Hoist Lines

2

Dialling code for telescopic control

9

DEMAG AC 205

80 Tonne Hydraulic All Terrain Crane

75%/DIN 15019.2

AC 205 Capacities on Hydraulic Extension Boom

360°

Capacity (t) = Load + Hook Block

Counterweight 18.0 t
Outrigger base 7.70 x 7.00 m

Extension Boom 14.3 m

Main Boom 42.3 m

(Sequence of extended boom 90-90-74-74-74 %)

Radius (m)	Pos.0°	Pos.10°	Pos.20°	Pos.30°	Pos.40°	Pos.50°
12.0	2.4	-	-	-	-	-
14.0	2.3	1.8	-	-	-	-
16.0	2.1	1.7	1.4	-	-	-
18.0	2.0	1.6	1.3	1.1	-	-
20.0	1.9	1.5	1.3	1.1	1.0	-
22.0	1.7	1.4	1.2	1.1	1.0	0.9
24.0	1.6	1.3	1.2	1.0	0.9	0.9
26.0	1.5	1.3	1.1	1.0	0.9	0.9
28.0	1.4	1.2	1.1	1.0	0.9	0.9
30.0	1.3	1.2	1.0	0.9	0.9	0.9
32.0	1.3	1.1	1.0	0.9	0.9	0.9
34.0	1.2	1.1	1.0	0.9	0.9	0.9
36.0	1.2	1.0	1.0	0.9	0.9	-
38.0	1.1	1.0	0.9	0.9	0.9	-
40.0	1.1	0.9	0.9	0.9	0.9	-
42.0	1.0	0.9	0.9	0.9	-	-
44.0	0.8	0.8	0.8	0.8	-	-
46.0	-	-	0.6	0.6	-	-

No. of Hoist Lines

2

Dialling code for telescopic control

7

DEMAG AC 205

80 Tonne Hydraulic All Terrain Crane

AC 205	75%/DIN 15019.2					
	Capacities on Hydraulic Extension Boom					
	360°					
	Capacity (t) = Load + Hook Block					
	Counterweight 18.0 t					
	Outrigger base 7.70 x 7.00 m					
	Extension Boom 14.3 m					
	Main Boom 46.1 m					
	(Sequence of extended boom 90-90-90-90-90 %)					
Radius (m)	Pos.0°	Pos.10°	Pos.20°	Pos.30°	Pos.40°	Pos.50°
14.0	1.9	-	-	-	-	-
16.0	1.8	1.6	-	-	-	-
18.0	1.8	1.6	1.4	-	-	-
20.0	1.7	1.5	1.3	1.1	-	-
22.0	1.6	1.4	1.3	1.1	1.0	0.9
24.0	1.5	1.4	1.2	1.1	0.9	0.9
26.0	1.5	1.3	1.2	1.0	0.9	0.9
28.0	1.4	1.3	1.1	1.0	0.9	0.9
30.0	1.4	1.2	1.1	1.0	0.9	0.9
32.0	1.3	1.2	1.1	1.0	0.9	0.9
34.0	1.2	1.1	1.0	0.9	0.9	0.9
36.0	1.2	1.1	1.0	0.9	0.9	0.9
38.0	1.1	1.0	1.0	0.9	0.9	0.9
40.0	1.0	1.0	0.9	0.9	0.9	-
42.0	0.8	0.9	0.9	0.8	0.8	-
44.0	0.6	0.7	0.8	0.8	0.8	-
46.0	-	-	0.6	0.7	-	-
<hr/>						
No. of Hoist Lines	2					
<hr/>						
Dialling code for telescopic control	8					
<hr/>						

DEMAG AC 205

80 Tonne Hydraulic All Terrain Crane

AC 205	Capacities on Hydraulic Extension Boom						75%/DIN 15019.2
	Capacity (t) = Load + Hook Block						360°
	Extension Boom 14.3 m						Counterweight 18.0 t
	Main Boom 50.0 m						Outrigger base 7.70 x 7.00 m
	(Sequence of extended boom 100-100-100-100-100 %)						
Radius (m)	Pos.0°	Pos.10°	Pos.20°	Pos.30°	Pos.40°	Pos.50°	
14.0	0.9	-	-	-	-	-	
16.0	0.9	-	-	-	-	-	
18.0	0.9	0.9	0.9	-	-	-	
20.0	0.9	0.9	0.9	0.9	-	-	
22.0	0.9	0.9	0.9	0.9	0.9	-	
24.0	0.9	0.9	0.9	0.9	0.9	0.9	
26.0	0.9	0.9	0.9	0.9	0.9	0.9	
28.0	0.9	0.9	0.9	0.9	0.9	0.9	
30.0	0.9	0.9	0.9	0.9	0.9	0.9	
32.0	0.9	0.9	0.9	0.9	0.9	0.9	
34.0	0.9	0.9	0.9	0.9	0.9	0.9	
36.0	0.8	0.8	0.9	0.9	0.9	0.9	
38.0	0.7	0.7	0.8	0.8	0.8	0.8	
40.0	-	0.6	0.7	0.7	0.7	0.8	
42.0	-	-	0.6	0.6	-	-	
No. of Hoist Lines							2
Dialling code for telescopic control							9
Operating mode switch on PAT-console							1041